

OCEAN COMPACT CRADLE

Owner's Manual

REV01

This manual is the property of Ocean Safety Limited and its associated or subsidiary companies.

It must not be copied without prior written permission from Ocean Safety Limited or its associated or subsidiary companies.

All rights reserved.

**YOUR SAFETY
OUR WORLD**



1.0	INTRODUCTION	P3
1.1	Introduction	P3
1.2	Warning	P3
1.3	Safety	P3
1.4	Strapping	P3
2.0	PREPARATION	P4
2.1	Fixing pack	P4
2.2	Tools required	P5
2.3	Positioning the cradle	P5
3.0	CONSTRUCTION	P6
4.0	MOUNTING	P8
5.0	STRAPPING	P9
6.0	MANUALLY RELEASING THE LIFERAFT	P11
7.0	CARE & MAINTENANCE	P12

1.1 Thank you for purchasing this Ocean Safety product. **Please follow the construction, mounting, usage and maintenance instructions** to ensure the product is fitted safely and correctly. It is recommended that the cradle is built and the liferaft is fitted with at least two able-bodied people,

1.2 Whilst the information provided is extensive, it may not be complete as regulations do vary from country to country. Therefore, it is advisable to obtain further guidance from your local authority regarding the additional equipment to be carried or regulations to be met.



WARNING: PLEASE RETAIN THIS MANUAL FOR FUTURE REFERENCE

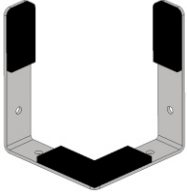


1.3 SAFETY

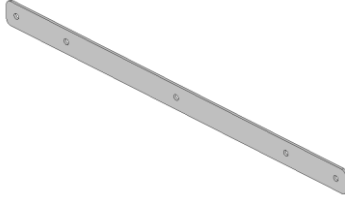
1. **ALWAYS** take care when using power tools, particularly if there is any water in the working area.
2. **ALWAYS** wear eye protection
3. **ALWAYS** check for pipes and cables before drilling into walls and floors.
4. **ALWAYS** use a drill that is suitable for the surface that is being drilled.
5. **DO NOT** use abrasive or chemical cleaners as these may damage the product.

1.4 Ocean Safety recommend the use of Ocean Safety strapping products to secure the raft into the cradle (these are not included).

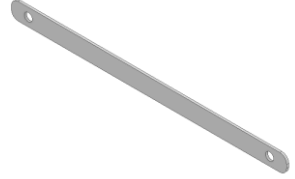
2.1 FIXING PACK



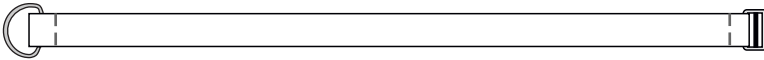
A. Feet x4



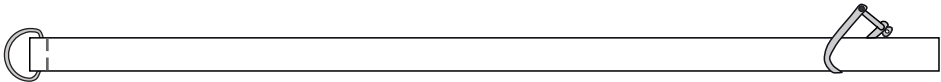
B. Length beam x2



C. Width beam x2



D. Long strap with two bar buckle x1
(Not included)



E. Long strap x1
(Not included)



F. Short strap x1
(Not included)



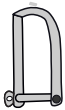
G. M12X25 bolt x8



H. M12 nut x8

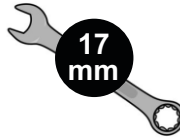


I. Hydrostatic Hammar
Release Unit
(Not included) x1



J. D shackles x3

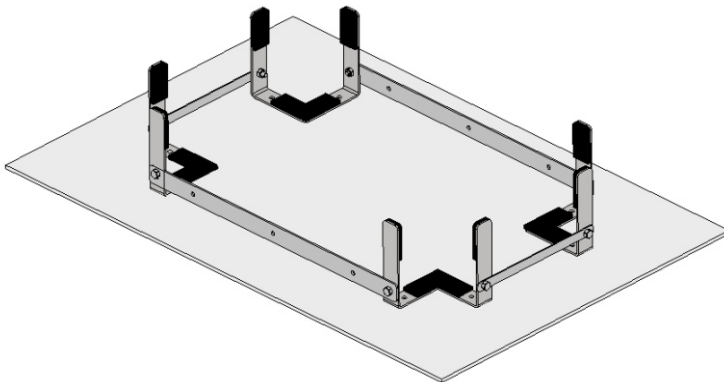
2.2 TOOLS REQUIRED



2.3 POSITIONING THE CRADLE

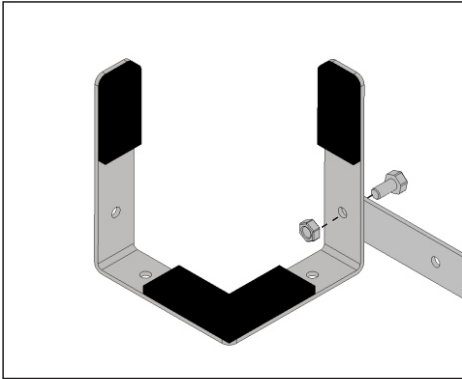
2.3.1 This cradle is to be positioned on a **flat clear area of deck**. It is essential that there are **no obstructions affecting the fitting or usage** of the cradle.

2.3.2 If the cradle is fitted on top of or affected by an obstruction, Ocean Safety **will not be liable** for any failure of the product or its operation.

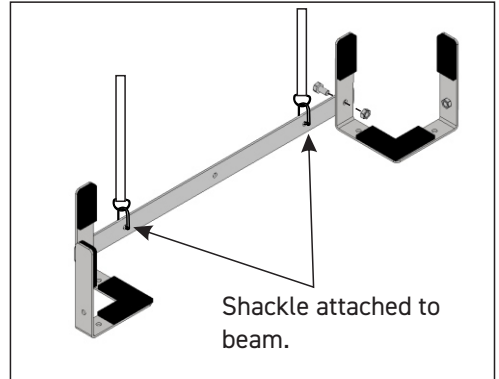


3.0 CONSTRUCTION

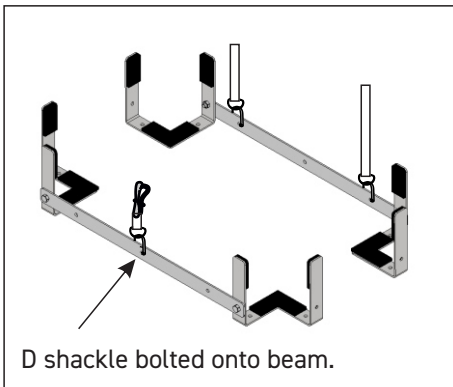
3.1 Bolt the length beam (B) onto two separate feet (A) using the bolt (G) and nut (H). Tighten using a 17mm spanner.



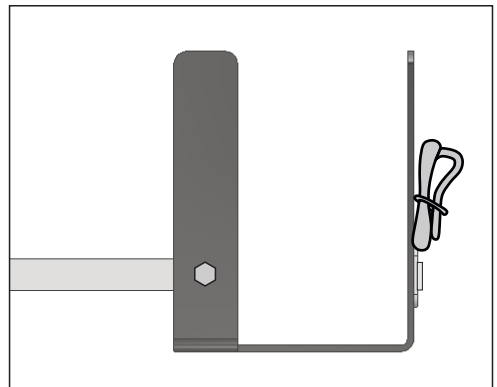
3.2 Thread the strap loops (E) through the D shackles (J) and attach the shackle onto the outer holes of the beam.



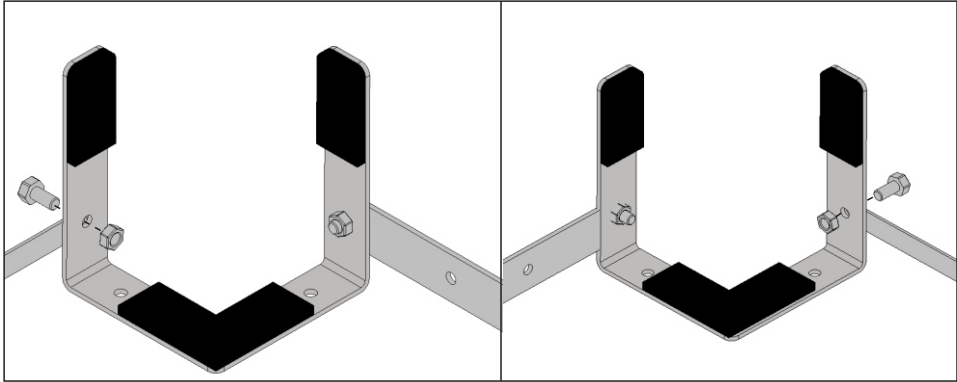
3.3 Slide the loop of the shortest strap (F) onto the remaining D shackle (J) and attach the shackle to the centre hole of beam (B).



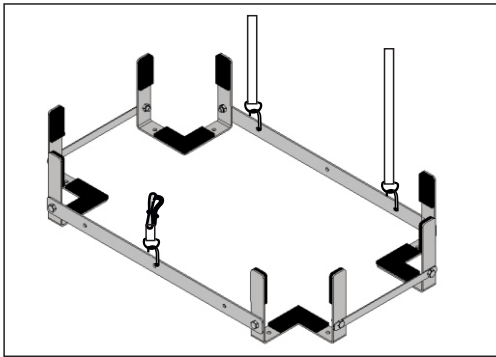
3.4 Note: make sure the pelican hook is facing outwards as shown below.



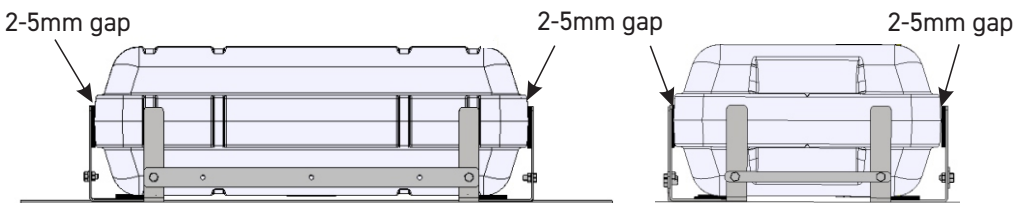
3.5 Bolt the width beam (C) to both sets of feet (A) using the bolts (G) and nuts (H). Tighten using a 17mm spanner.



3.6 Repeat on the opposite side of cradle.



3.7 Position the liferaft into the assembled cradle. Ensure the gap between the raft and the cradle feet **does not exceed 2-5mm on all sides**. If it does not fit within the cradle as described, contact Ocean Safety or your local approved service centre.



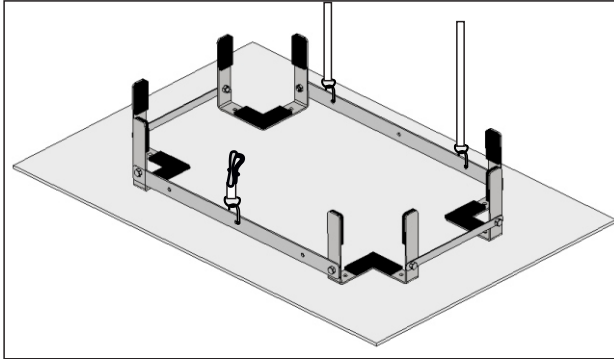
4.0 MOUNTING



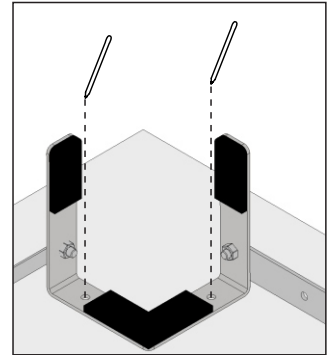
NOTE: FIXINGS FOR MOUNTING ARE NOT SUPPLIED. THEY WILL VARY ON THE DECK THE CRADLE IS FIXED TO. OCEAN SAFETY WILL NOT TAKE RESPONSIBILITY FOR INCORRECT FIXINGS.



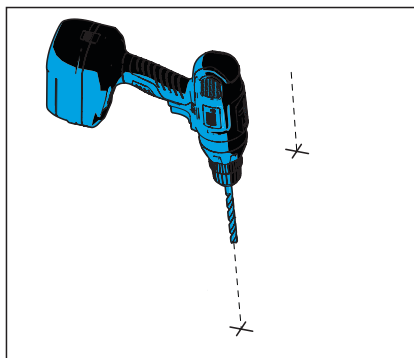
4.1 Position the cradle onto the desired area of flat deck



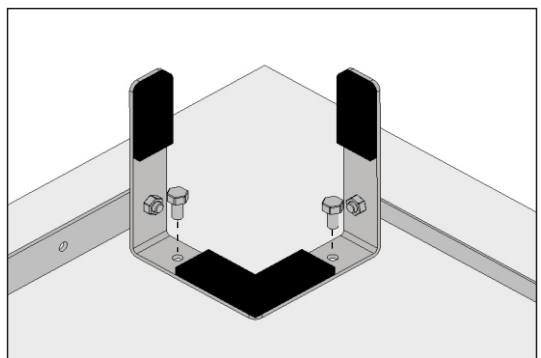
4.2 Mark x8 foot holes on the deck.



4.3 Remove the cradle then drill x8 holes in the marked locations.

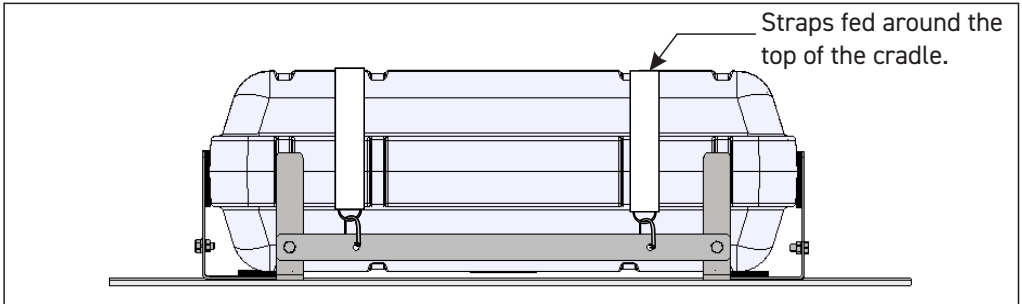


4.4 Replace the cradle onto the drilled holes and secure with the appropriate fixings for the deck that are **through panel** (not provided).



5.0 STRAPPING

5.1. Once the cradle is secured to the deck, position the liferaft in the cradle. Secure by pulling the two longest straps over the top of the container.

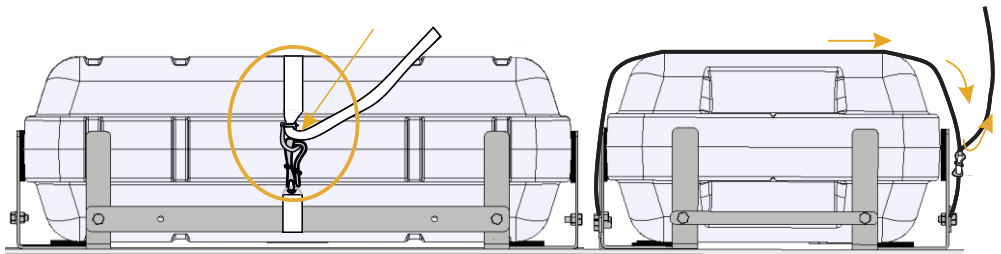


5.2 If fitting a Hammar Hydrostatic release unit, go to step 5.4 otherwise follow step 5.3.

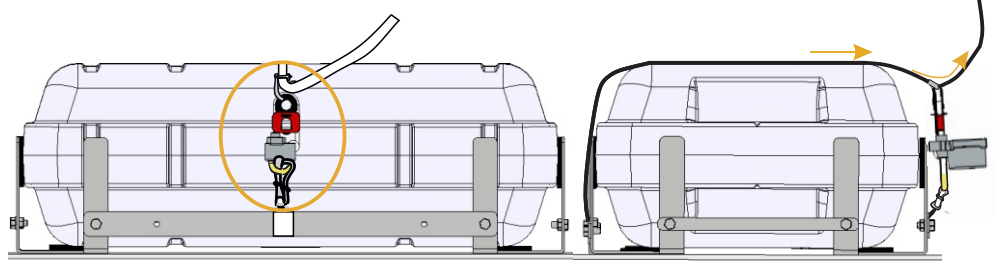
5.3 Attach the **D shackle to the pelican hook**. Thread the long strap through the D shackle. (Skip to step 5.5)

5.4 Using a Hammar Hydrostatic release unit, attach the black loop of the Hammar unit to the D shackle and the pelican hook to the yellow loop. (Note this is **not included in the product** and must be bought separately.)

5.3 Pelican hook around D shackle and strap through the D shackle.

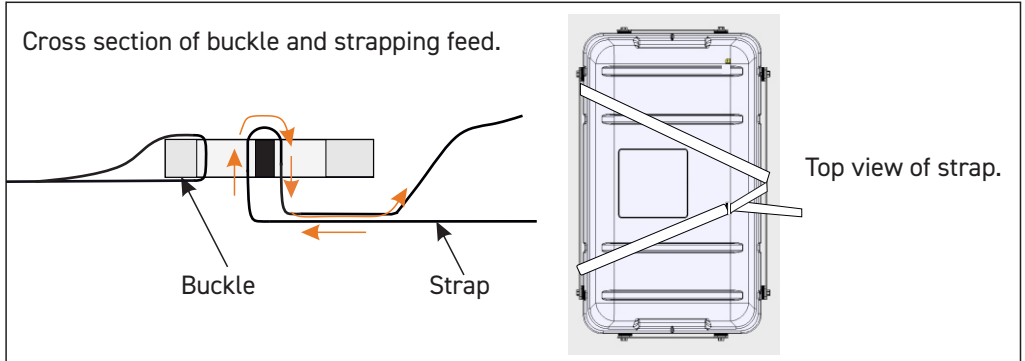


5.4 Hammar Hydrostatic Release Unit setup.



5.0 STRAPPING

5.5 Take the end of the strap that had been fed through the D shackle back up to the buckle, **ensuring it is not twisted**. Feed the strap through the buckle. Ensure the strap is fed through the buckle as per the diagram below.



5.6 Tighten the straps by **pulling the loose end**. Ensure the **load is spread evenly**. The strap may need to be manually pulled through the D shackle then tightened again multiple times. There should be a constant tension over the entire strap.

5.7 The loose end can then be tied up around the strap.

Ensure even tension over the strap construction.

Pull to tighten.



WARNING: MAKE SURE THIS DOES NOT AFFECT THE OPERATION OF THE PELICAN HOOK OR HAMMAR HYDROSTATIC RELEASE UNIT



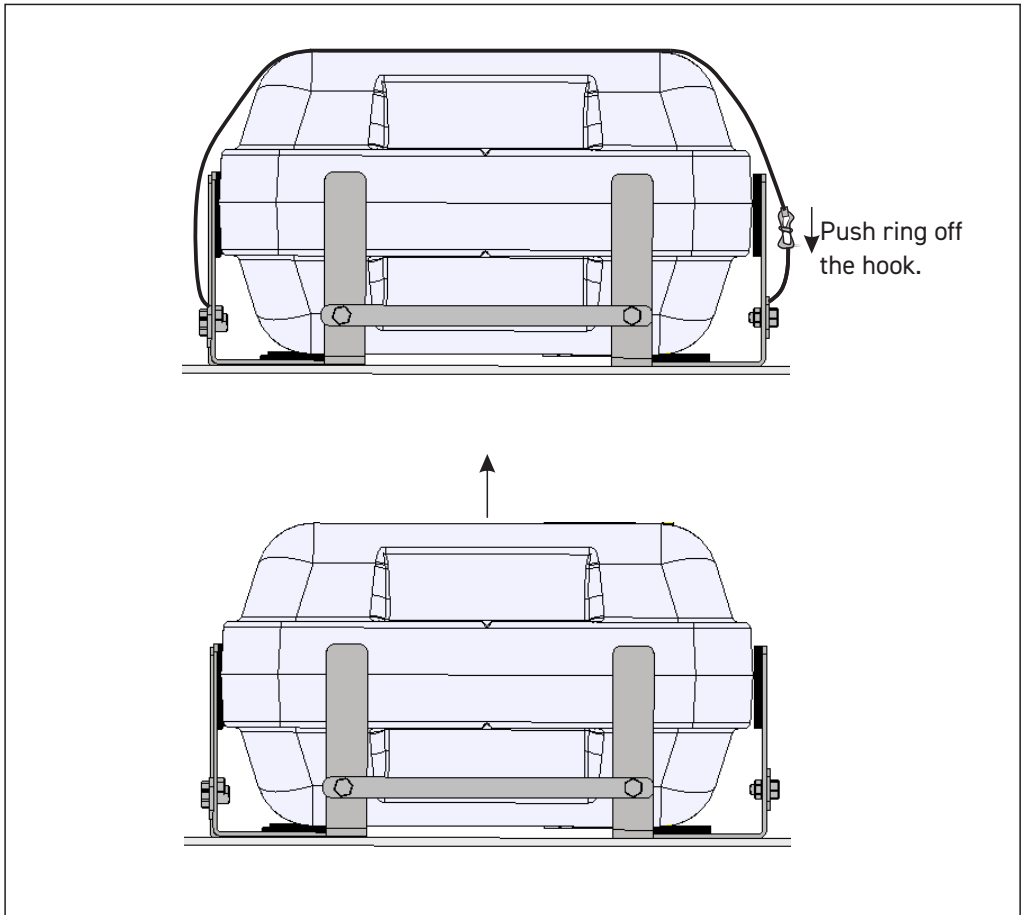
5.8 The straps should never be loosened unless servicing the raft.



NOTE: THE LIFERAFT MUST ONLY BE REMOVED FROM THE CRADLE IN AN EMERGENCY OR TO BE SERVICED.



6.1 The raft is manually released by pushing down the ring on the pelican hook. Once complete the liferaft can be lifted out the cradle.



7.1 Before leaving the shore or dock:

1. Check the strapping has not worn, torn and is still under tension
2. Check the liferaft still fits tightly inside the cradle.
3. Check the cradle has not moved or fixings have not loosened
4. Check the deck it is fitted to has not weakened
5. If any concerns contact your nearest Ocean Safety service station
6. If any part of the product is damaged or faulty replace immediately

OCEAN SAFETY
Saxon Wharf
Lower York Street
Southampton
Hampshire
SO14 5QF

Tel: +44 (0)2380 720800
Email: info@oceansafety.com
Web: www.oceansafety.com

ZZZOSL8121 REV01

**YOUR SAFETY
OUR WORLD**

