

# JON BUOY<sup>®</sup> RECOVERY MODULE MK 6

Owner's Manual

REV 04

This manual is the property of Ocean Safety Limited and its associated or subsidiary companies.

It must not be copied without prior written permission from Ocean Safety Limited or its associated or subsidiary companies.

All rights reserved.

**YOUR SAFETY  
OUR WORLD**



<b>1.0</b>	<b>INTRODUCTION</b>	<b>P2</b>
1.1	Features	P2
1.2	Preparation for a MOB situation	P3
<b>2.0</b>	<b>INSTALLATION</b>	<b>P3</b>
2.1	Positioning the container	P4
2.2	Installing the container	P5
<b>3.0</b>	<b>USING THE RECOVERY MODULE</b>	<b>P6</b>
3.1	Launching the module	P6
3.2	Boarding the module	P7
3.3	Onboard the module	P8
<b>4.0</b>	<b>RECOVERY</b>	<b>P9</b>
4.1	Preparation	P9
4.2	Recovering the module	P10
<b>5.0</b>	<b>CARE AND MAINTENANCE</b>	<b>P11</b>
5.1	After use	P11
5.2	Storage	P12
5.3	Additional safety items	P12
<b>6.0</b>	<b>SERVICING</b>	<b>P13</b>
6.1	Warranty	P14
<b>7.0</b>	<b>SERVICE RECORD</b>	<b>P15</b>

1.0.1 The Jon Buoy Recovery Module MK6 is a full man overboard solution, enabling deployment of a device that can locate, support and recover a MOB. The Recovery Module MK6 is accepted as a direct replacement for one traditional Danbuoy, Horseshoe, Drogue, Light and Whistle specified within the World Sailing Offshore Special Regulations where two would normally be required.

1.0.2 To launch the Jon Buoy Recovery Module MK6, a single latch provides a quick and intuitive release and deployment into the water.

1.0.3 When operated, the Jon Buoy Recovery Module MK6 deploys directly from the container, inflating automatically, immediately providing a high visibility safe haven for the MOB.

1.0.4 The Jon Buoy Recovery Module MK6 supports the casualty comfortably out of the water, reducing the risk of hypothermia whilst awaiting recovery.

1.0.5 The Jon Buoy Recovery Module MK6 is recovered horizontally, this is particularly important with the possible hypothermic casualty and reduces the chance of further complications or cardiac arrest during recovery.

## 1.1 FEATURES

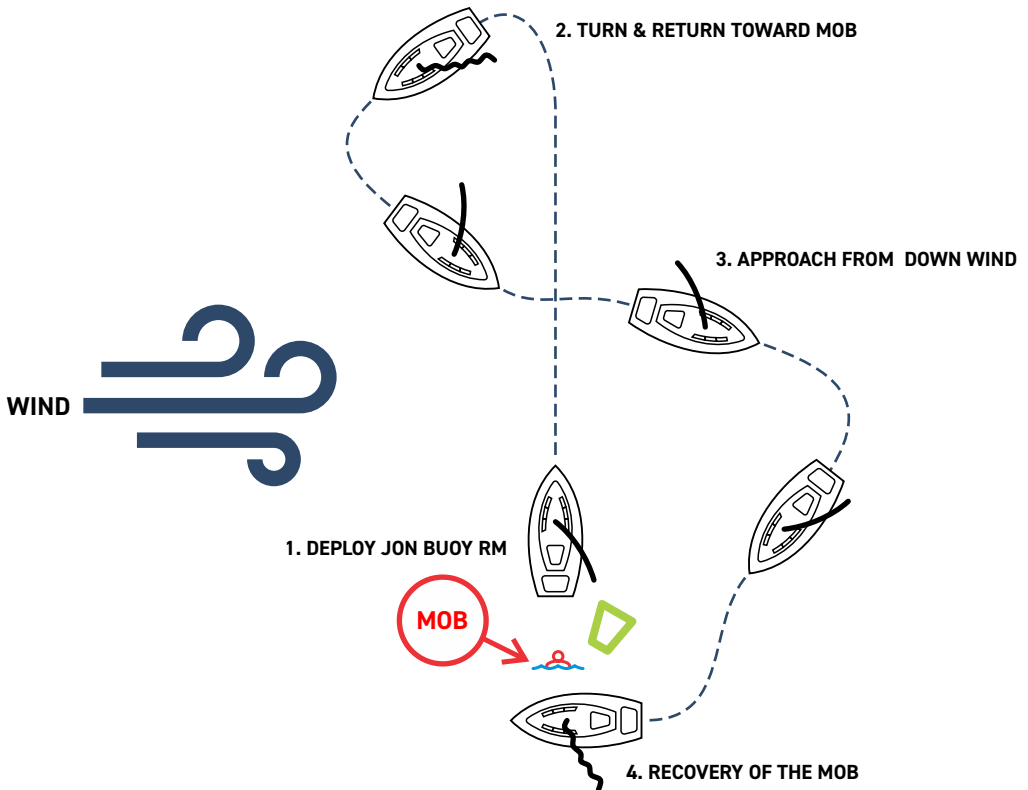
1. Single action deployment
2. Compact and lightweight
3. Aesthetic slimline container
4. Container available in white or carbon black
5. Automatic inflation
6. Tailored buoyancy design
7. SOLAS automatic light
8. Intuitive boarding assistance
9. Integrated water stability system
10. Lifting harness
11. SWL of 200kg
12. Retro-reflective binding
13. 5m throwing quoit & line
14. AIS attachment point
15. 2 year service intervals

## 1.2 PREPARATION FOR A MOB SITUATION

1.2.1 In the event that the Jon Buoy Recovery Module is required, it is critical to understand how it works and to devise a plan for an emergency situation.

1.2.2 The following pages of this manual detail how the Jon Buoy Recovery Module MK6 works. More importantly, it is essential that there is a plan to get back to the MOB safely.

1.2.3 Below is a simple diagram of a MOB situation, from deployment to coming alongside the casualty;



**WARNING:** ENSURE ALL CREW MEMBERS ARE TRAINED IN THE USE OF THE RECOVERY MODULE AND IN THE MOB PROCEDURE

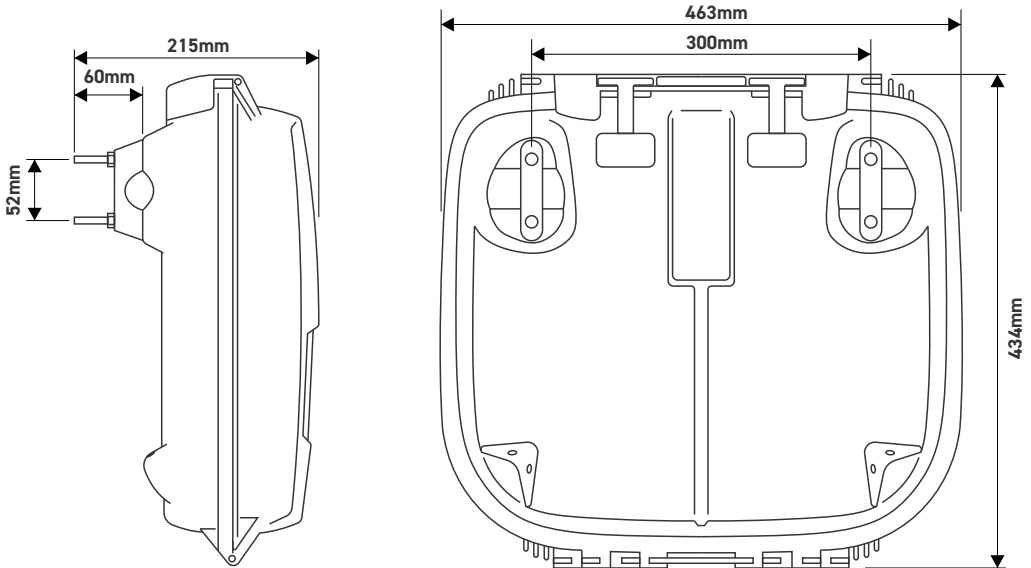


## 2.1 POSITIONING THE MODULE

2.1.1 The Jon Buoy Recovery Module MK6 can be mounted to the majority of standard rails using the clamps and lashing location points on the back housing.

2.1.2 It is recommended wherever possible, that the recovery module is mounted on the stern of the vessel with a clear and unimpeded drop to the sea.

2.1.3 Try to mount the recovery module in a location not exposed to frequent impact of waves or the direct flow of water passing the vessel.



**WARNING:** DIMENSIONS TO BE USED AS A GUIDE ONLY

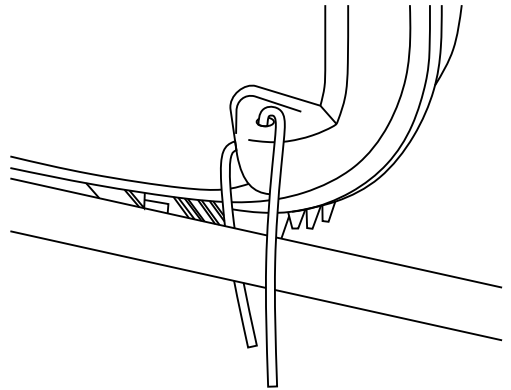
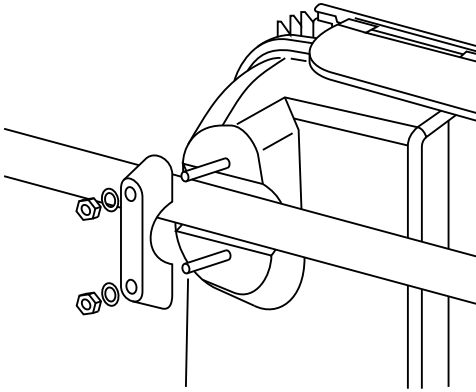


## 2.2 INSTALLING THE CONTAINER

2.2.1 Position the clamping blocks over the top rail, connect the washers and tighten the nuts securely. Rubber spacers are provided to aid fitting the recovery module to smaller rails.

2.2.2 Lash the lower part of the back plate to a lower rail using the holes positioned at the base of the container.

2.2.3 Use a lashing between 2mm and 5mm.

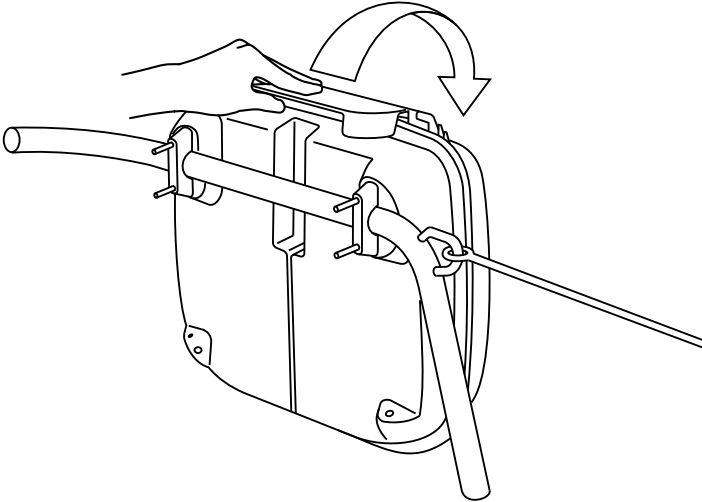


**WARNING:** ENSURE THE RECOVERY MODULE IS AFFIXED IN ALL FOUR POSITIONS TO MAXIMISE ITS STRENGTH



## 3.1 LAUNCHING THE MODULE

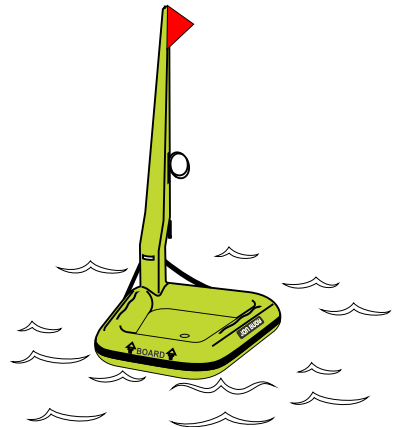
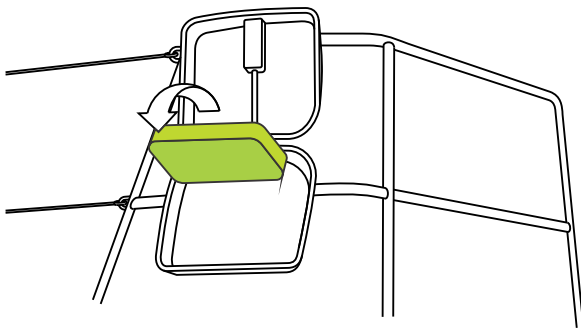
3.1.1 In a MOB situation, lift the latch of the recovery module to deploy.



3.1.2 Upon release, the container will open and the recovery module will automatically fall outboard and automatically inflate.

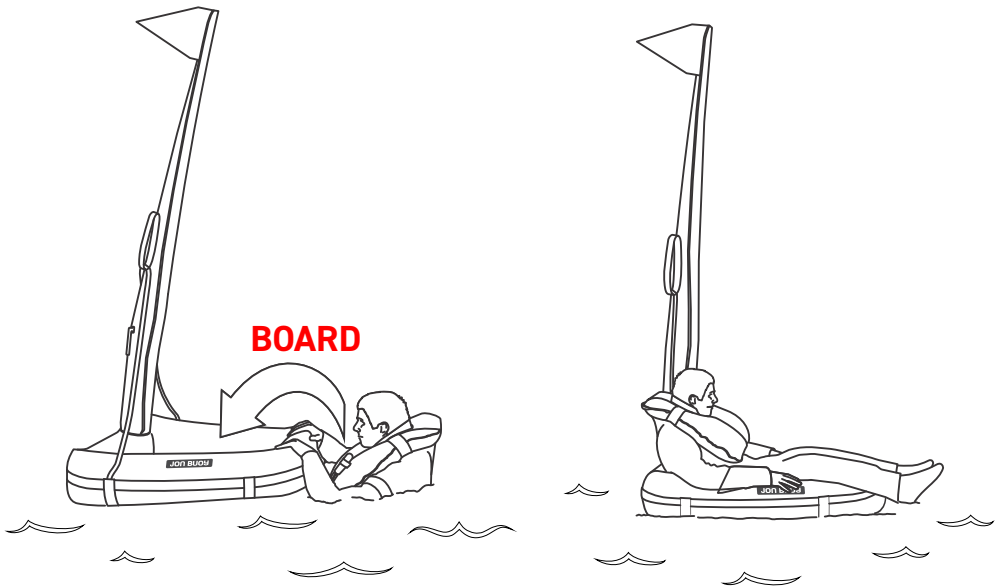


**WARNING:** THE JON BUOY RECOVERY MODULE LATCH MUST ONLY BE OPENED IN A MOB SITUATION



## 3.2 BOARDING THE MODULE

3.2.1 Once inflated, the module can be boarded.



3.2.2 Ocean Safety recommend that the recovery module is approached and boarded from the front. However it is also possible to board at the side of the module.

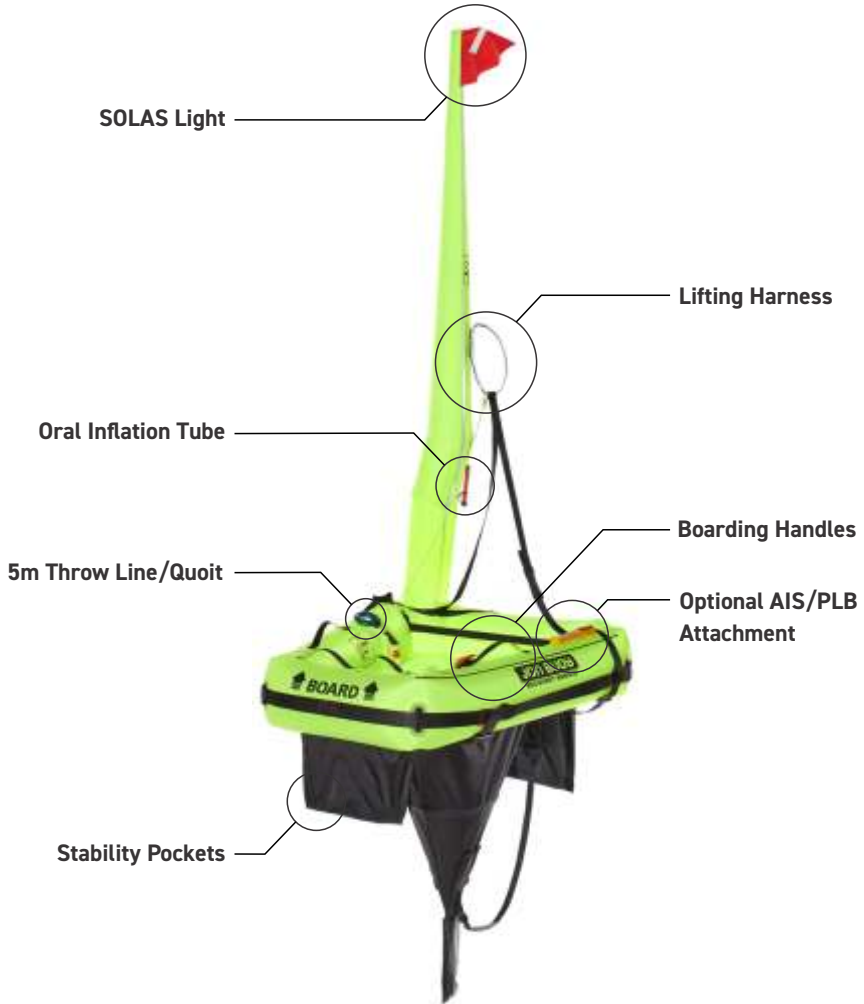
3.2.3 A number of webbing grab handles are strategically located on the inside and outside of the module to assist with the boarding process.

3.3.4 Await rescue.



## 3.3 ONBOARD THE MODULE

3.3.1 Once boarded, the recovery module provides a highly visible safe haven for a MOB. The module has a number of key benefits to aid in recovery.

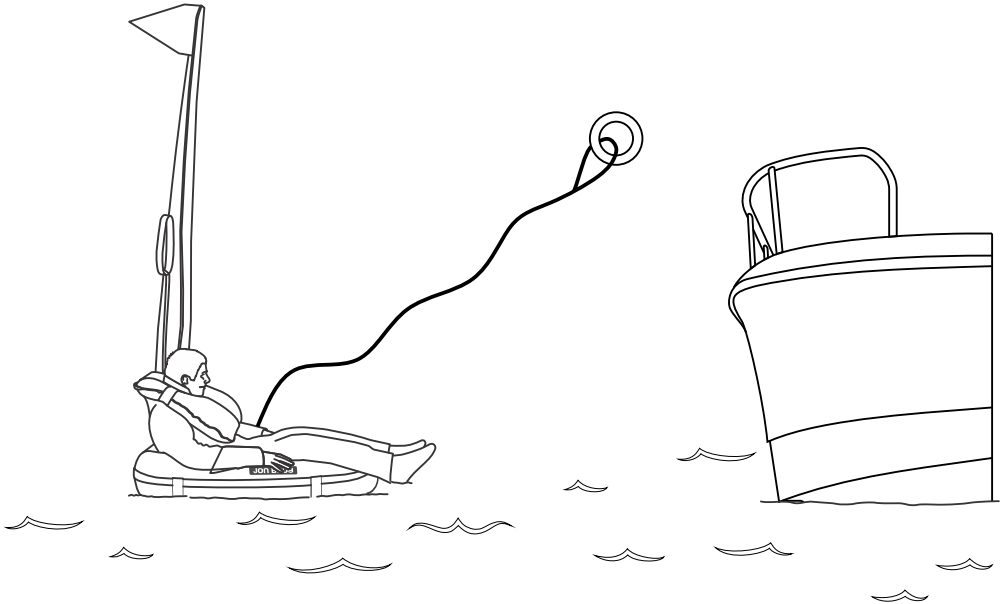


**WARNING:** THESE FEATURES WILL AID IN THE LOCATION OF THE MOB AND THE SUBSEQUENT RECOVERY



## 4.1 PREPARATION

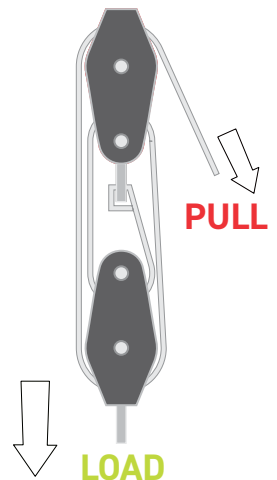
4.1.1 A weighted throwing line is provided to aid recovery. The line is 5m long and provides a link between the recovery module and vessel. The line enables control between the vessel and the module prior to recovery.



4.1.2 Ocean Safety highly recommend the use of a handy billy in the recovery of a MOB from the water.

4.1.3 The device is constructed from a number of black shackles and ropes to gain mechanical advantage when lifting. The use of a handy billy ensures a safer, smoother and more effective lift.

4.1.4 There are a number of best practice methods for a handy billy and it is vitally important for all crew members to be trained in the MOB procedure and equipment.

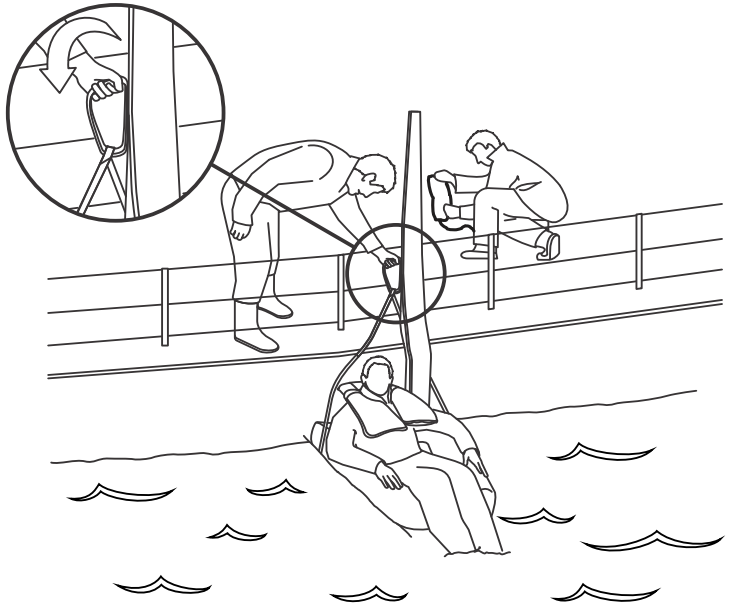


## 4.2 RECOVERING THE MODULE

4.2.1 To recover the occupied recovery module from the water, attach a halyard or line to the webbing lifting loop.

4.2.2 Before lifting/recovering, ensure the module occupant has their arms inside the module. This is important, as during the lifting procedure, the harness will deploy around the outer edge of the module and will envelope the occupant preventing injury from the vessel hull or rigging.

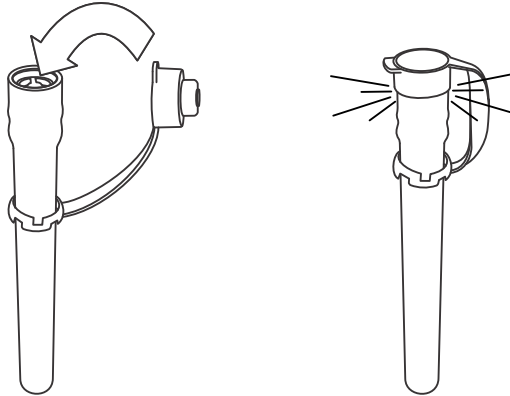
4.2.3 Before attaching the lifting loop to a halyard or line, detach it from the recovery module mast by pulling apart the velcro.



4.2.4 Once the occupant is ready, winch the module and occupant back on the board the vessel.

## 5.1 AFTER USE

5.1.1 To deflate the Jon Buoy Recovery Module, locate the oral tube valve on the module mast. Depress the oral tube valve by using the cap on the tube and squeeze all the air out of the module.



5.1.2 Rinse the recovery module with fresh water and leave to drip dry in a cool and well ventilated area.

5.1.3 Once dry and deflated, pack the module and send to the nearest Ocean Safety Approved Service Station.

5.1.4 To find the nearest Ocean Safety Approved Service Station, visit the website or contact Ocean Safety:



Tel: +44 (0) 2380 720800  
Email: [info@oceansafety.com](mailto:info@oceansafety.com)  
Web: [www.oceansafety.com](http://www.oceansafety.com)



**WARNING:** NEVER ATTEMPT TO RE-PACK THE MODULE FOR RE-USE. ONLY TRAINED PERSONNEL AT AN OCEAN SAFETY APPROVED SERVICE STATION CAN RE-PACK AND RE-ARM A JON BUOY RECOVERY MODULE TO THE NECESSARY STANDARD REQUIRED.



## 5.2 STORAGE

5.2.1 Ocean Safety recommend that if the vessel is not in use, the Jon Buoy Recovery Module is removed and kept in a dry storage facility. This will prolong the life of the module.

5.2.2 Alternatively, cover the recovery module with a waterproof cover.

5.2.3 It is the owners responsibility to remove any protective cover should the vessel be in use. Failure to do so may result in the failure of the product to deploy properly.

## 5.3 ADDITIONAL SAFETY ITEMS

5.3.1 The Jon Buoy Recovery Module can be fitted with a personal AIS (Automatic Identification System) device that can automatically activate during inflation of the Jon Buoy Recovery module.

5.3.2 The AIS enables vessels, fitted with an AIS plotter, to quickly and efficiently locate the module.



**WARNING:** NEVER ATTEMPT TO OPEN THE JON BUOY RECOVERY MODULE



6.0.1 The Jon Buoy Recovery Module must be serviced every two years at an Ocean Safety Approved Service Station.

6.0.2 The recommended first service date is defined by the black sticker on the rear of the container. The outer number denotes month and year indicated in the circle.

6.0.3 A service every two years is essential to ensure the life of the product is prolonged and to maintain the module's warranty.

6.0.4 To find the nearest Ocean Safety Approved Service Station, visit the website or contact Ocean Safety:



Tel: +44 (0) 2380 720800

Email: [info@oceansafety.com](mailto:info@oceansafety.com)

Web: [www.oceansafety.com](http://www.oceansafety.com)

## 6.1 WARRANTY

6.1.1 Ocean Safety offers a limited warranty of 5 years to the original owner of the Jon Buoy Recovery Module, subject to the terms and conditions outlined herein. This warranty covers defects in materials and workmanship of the product. Please review the following details carefully to understand the scope and limitations of this warranty.

6.1.2 It is important to note that the warranty does not cover damage resulting from accidents, neglect or normal wear and tear. Additionally, it is only valid if a full service history, carried out by an Ocean Safety Approved Service Station, is available and only if the product has been registered with Ocean Safety via the warranty section of the Ocean Safety website: [www.oceansafety.com/warranty](http://www.oceansafety.com/warranty).

### 6.1.3 WARRANTY EXCLUSIONS

6.1.3.1 The warranty does not apply to the following:

- **Normal wear and tear:** This includes, but is not limited to, damage caused by regular usage, wear on containers or deployment-related damage.
- **Product abuse or misuse:** Any evidence of product abuse or misuse, as determined by Ocean Safety, will void the warranty.
- **Commercial or business use:** Products used for commercial or business purposes are not covered under this warranty.
- **Acts of God or third parties:** Damage resulting from acts of nature or actions by third parties is not covered.
- **Non-compliance with maintenance instructions:** The product must be serviced at Ocean Safety approved Service Stations following the instructions provided by Ocean Safety at the specified intervals.
- **Time expired items:** Replacement of time-expired items such as lights, gas cylinders which are typically replaced during the products lifespan, is not covered.
- **Jon Buoy products service interval:** For Jon Buoy products, please refer to the owners manual.

### 6.1.4 WARRANTY CLAIMS

6.1.4.1 If you believe the product is eligible for a warranty claim based on the terms and conditions outlined above, contact Ocean Safety. Ocean Safety are committed to resolving warranty issues promptly and efficiently.

### 6.1.5 CHANGES TO TERMS AND CONDITIONS

6.1.5.1 Ocean Safety reserves the right to modify or amend this warranty terms and conditions at any time. Customers will be bound by the warranty terms and conditions in effect at the time of the original product purchase.

6.1.5.2 For warranty related enquiries or claims, contact Ocean Safety,

# 7.0 SERVICE RECORD

Signature & Stamp							
Comments							
Repairs and/or Replacements							
Modifications							
Service Station Address							
Date of Service							



# JON BUOY®

OCEAN SAFETY

Saxon Wharf  
Lower York Street  
Southampton  
Hampshire  
SO14 5QF

Tel: +44 (0)2380 720800

Email: [info@oceansafety.com](mailto:info@oceansafety.com)

Web: [www.oceansafety.com](http://www.oceansafety.com)

**YOUR SAFETY  
OUR WORLD**

