

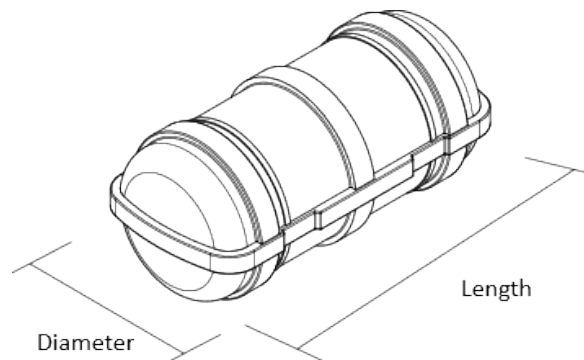
OCEAN SOLAS THROW-OVER LIFERAFT

The Ocean SOLAS Throw-over liferaft is built to the advanced buoyancy of 82.5kg per person and meets the MSC.295(87) regulations.

Designed for vessels with a stowage requirement of up to 25m as standard, with greater options available. Option of SOLAS A or B safety packs. A range of liferaft cradles and stowage racks are available to suit all deck layouts.

Key features

- SOLAS/MED/USCG/MER approved
- SOLAS approved internal and external lighting system
- 25m drop height (greater options are available)
- Cylindrical container
- Launch type: Throw-over
- Insulated floor to retain heat
- Retro-reflective tape
- Dual zip closure for splash protection
- Dual tube inflation system
- Strong inflatable boarding ramp with reinforced ladder for ease of boarding
- Large water ballast pockets for maximum stability
- External lifelines
- Observation port
- 1 year service interval



SOLAS A - CONTAINER	Capacity	Part Numbers	Dimensions (mm)	Weight Pack (kg)
	6	RAF5100	1050 x 590	85
	8	RAF5102	1085 x 644	98
	10	RAF5104	1185 x 644	108
	12	RAF5106	1250 x 644	125
	16	RAF5108	1200 x 690	146
	20	RAF5110	1450 x 690	172
	25	RAF5112	1450 x 690	185

SOLAS B - CONTAINER	Capacity	Part Numbers	Dimensions (mm)	Weight Pack (kg)
	6	RAF5120	1050 x 590	73
	8	RAF5122	1085 x 644	82
	10	RAF5124	1185 x 644	88
	12	RAF5126	1250 x 644	100
	16	RAF5128	1200 x 690	112
	20	RAF5130	1450 x 690	130
	25	RAF5132	1450 x 690	135

*Weights issued with a tolerance of +/- 0.5 kg. Dimensions issued with a tolerance of +/- 30mm

