

TECHNICAL DATA SHEET

Intrinsically Safe Lifejacket Lights L6-Ex and L6A-Ex

Daniamant design and manufacture all of our products in line with the relevant worldwide approvals, technical specifications, current legislation and International directives.

Our mission is to achieve World class performance through partnerships with our suppliers, customers and employees, providing products and services that enhance the safety and security of our customers.

Daniamant products cover 11 key areas:

- Lifejacket Lights
- Liferaft Lights
- Lifebuoy Lights
- Intrinsically Safe Lights
 - Special Lights
 - LED Flares
- Bridge Navigational Watch Alarm System (BNWAS)
 - Salinometers
 - Oil Level Alarm
 - Electronic Inclinometer
- Agency for a range of world-renowned safety product brands (supplied to the Danish market)

Further Information

For further information on our products, please see our website: www.daniamant.com

MODEL	L6-Ex	L6A-Ex
Part number	79-310A	79-350A
Colour	Yellow	
Light – Output	Minimum 0.75 cd	
Light – Duration	Minimum 8 hours	
Light – Type	Flashing	
Material	Polycarbonate	
Storage Temperature	-30° C to + 65° C	
Operating Temperature	-1° C to + 30° C	
Storage Life	5 years	
Weight – Nominal	59 g	66 g
Battery Type	Lithium Manganese Dioxide	
Activation	Manual	Water
Ex number	Ex ia IIC T3 Gb	
Ex Temperature range	-35° C < Ta < +65° C	
Use in Zones	1 & 2	
ATEX category	2G (Intrinsic safety)	
Temperature Class	T3 (Max surface Temp 200° C)	
Approvals – Classification Societies	SOLAS/MED/USCG/ATEX/IECEX	
Approvals – Country	See our web site for full list of Country approvals	

Transport Specification

Transport Regulations are subject to change. Please refer to the latest Product safety Data Sheet at www.daniamant.com for details.

Packing Specification

To minimize shipping costs, both Lifejacket Lights are packed and supplied in boxes of 50 off.

The dimensions are:

Box of 50 off: 45 x 35 x 15 cm

Approximate packed weights are:

L6-Ex: 50 off at 4.5 kg

L6A-Ex: 50 off at 5.0 kg

Daniamant Ltd
 Unit 3, The Admiral Park
 Airport Service Road
 Portsmouth, PO3 5RQ
 United Kingdom

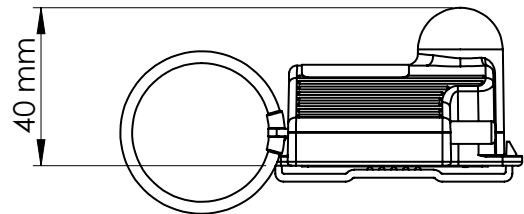
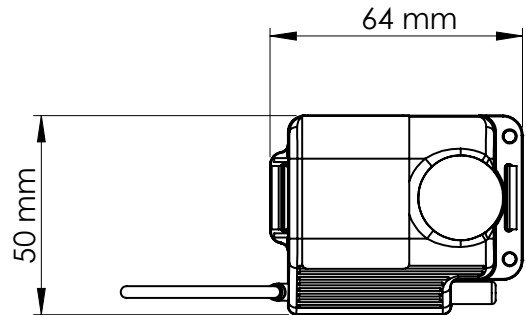
Tel +44 23 92 67 51 00
 Fax +44 23 92 67 51 01
 sales@daniamant.com

Daniamant ApS
 Industrivej 24C
 3550 Slangerup
 Denmark

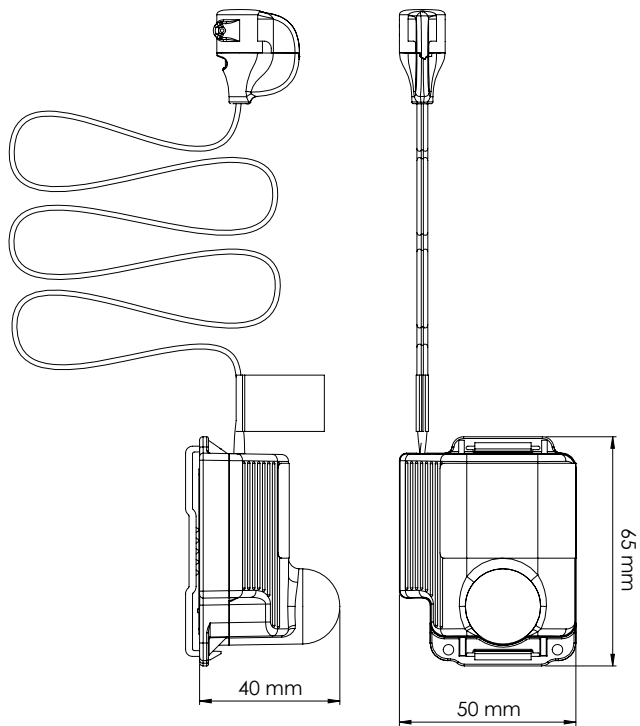
Tel +45 47 37 38 00
 Fax +45 47 37 38 09
 orders@daniamant.com

Daniamant Electronics A/S
 Industrivej 24C
 3550 Slangerup
 Denmark

Tel +45 47 37 38 00
 Fax +45 47 37 38 09
 info@daniamant.com



L6-Ex



L6A-Ex