

# JON BUOY<sup>®</sup> HORSESHOE AND DANBUOY RANGE

Owner's Manual

REV05

This manual is the property of Ocean Safety Limited and its associated or subsidiary companies.

It must not be copied without prior written permission from Ocean Safety Limited or its associated or subsidiary companies.

All rights reserved.

YOUR SAFETY  
OUR WORLD



<b>1.0</b>	<b>INTRODUCTION</b>	<b>P3</b>
	1.1 Features	P3
	1.2 Health and Safety	P3
	1.3 Deployment	P3
<b>2.0</b>	<b>USING THE JON BUOY</b>	<b>P4</b>
	2.1 Preparation for MOB Situation	P4
<b>3.0</b>	<b>INSTALLATION</b>	<b>P5</b>
	3.1 Fixing pack	P5
	3.2 Equipment required	P6
	3.3 Positioning	P6
	3.4 Pre-Installation	P7
	3.5 Rail mounted orientation	P8
	3.6 Rail mount vertical	P9
	3.7 Rail mount horizontal	P10
	3.8 Bulkhead mount	P11
	3.9 Installing the container	P12
<b>4.0</b>	<b>CARE AND MAINTENANCE</b>	<b>P16</b>
	4.1 After use	P16
	4.2 Storage and removal	P17
<b>5.0</b>	<b>SERVICING</b>	<b>P18</b>
	5.1 Warranty	P19
<b>6.0</b>	<b>SERVICE RECORD</b>	<b>P20</b>

Thank you for purchasing this Ocean Safety product. Please follow the assembly, mounting, usage and maintenance instructions to ensure the product is fitted safely and correctly.

## 1.1 FEATURES

1. Compact and lightweight
2. Aesthetic slimline container
3. Container available in white or carbon black
4. Automatic inflation
5. Retro-reflective binding
6. 3 year service intervals

## 1.2 HEALTH AND SAFETY

1. ALWAYS take care when using power tools, particularly if there is any water in the working area.
2. ALWAYS wear eye protection
3. ALWAYS check for pipes and cables before drilling into bulkheads.
4. ALWAYS use a drill that is suitable for the surface that is being drilled.
5. DO NOT use abrasive or chemical cleaners as these may damage the product.

## 1.3 DEPLOYMENT

1.3.1 Please read the instructions on the back of the of the Jon Buoy container for deployment. To access the deployment video use the QR code below or go to [www.oceansafety.com](http://www.oceansafety.com). This is to be used alongside the user manual.



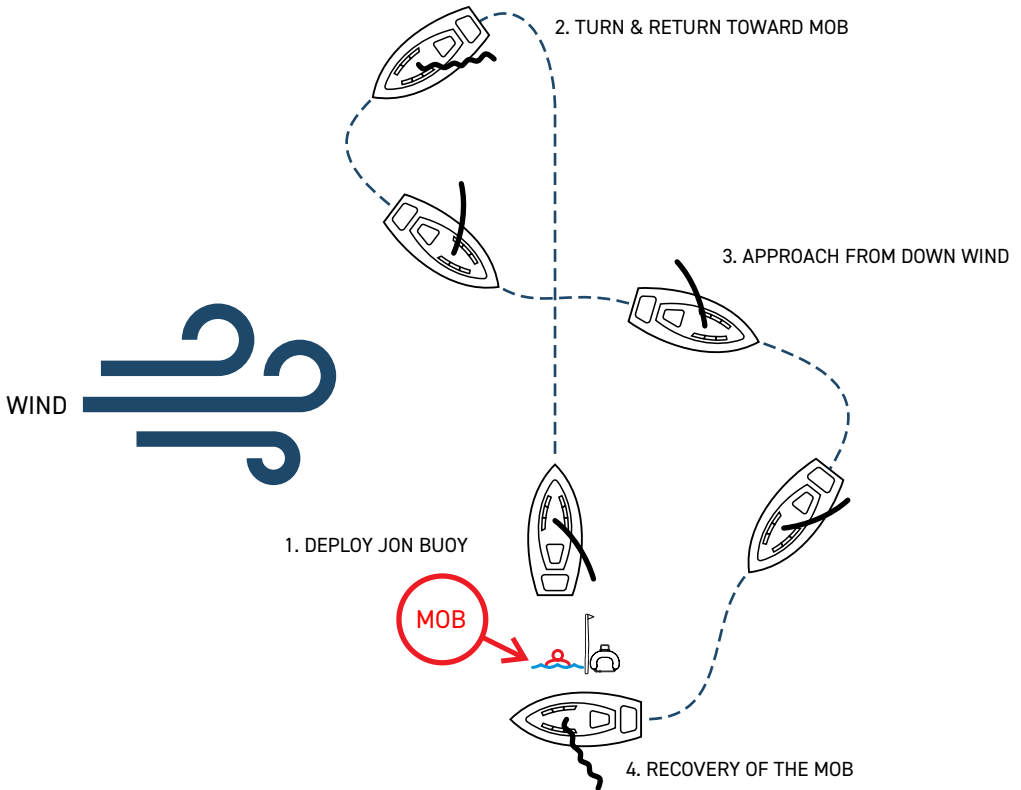
WARNING: PLEASE RETAIN THIS MANUAL FOR FUTURE REFERENCE



## 2.1 PREPARATION FOR A MOB SITUATION

2.2.1 In the event that the Jon Buoy is required, it is critical to understand how it works and to devise a plan for an emergency situation.

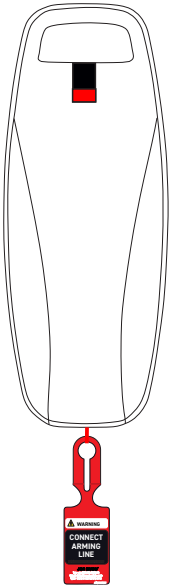
2.2.2 Below is a simple diagram of a MOB situation, from deployment to coming alongside the casualty;



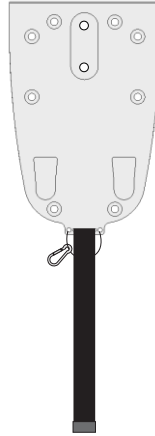
**WARNING: ENSURE ALL CREW MEMBERS ARE TRAINED IN THE USE OF THE JON BUOY AND IN THE MOB PROCEDURE**



## 3.1 FIXING PACK



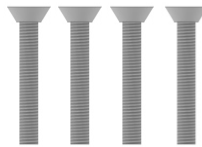
A. Jon Buoy Container



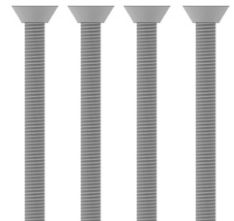
B. Jon Buoy mounting plate



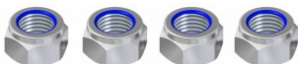
C. X4 Rail Mounting Brackets



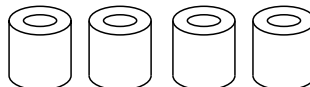
D. x4 65mm Bolts



E. x4 95mm Bolts

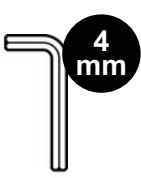


F. x4 M6 Nuts



G. x4 M6 Spacers

## 3.2 EQUIPMENT REQUIRED



Rail Mounting



Bulkhead mounting



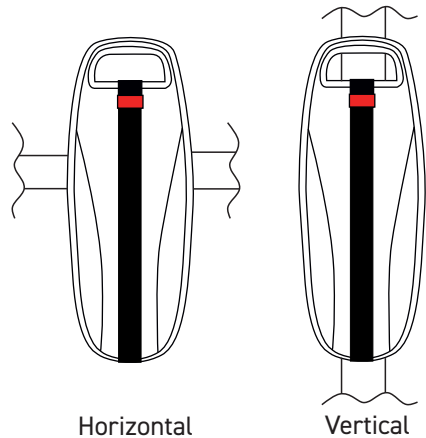
## 3.3 POSITIONING

3.3.1 The Jon Buoy can either be rail or bulkhead mounted. For rail mounting, follow section 3.4 or 3.5 and for bulkhead mounting follow section 3.6.

### 3.3.2 Rail Mounted

This Jon Buoy can be positioned on a rail 22mm-45mm in diameter, vertically or horizontally. It is essential that there are no obstructions affecting the fitting or usage of the Jon Buoy.

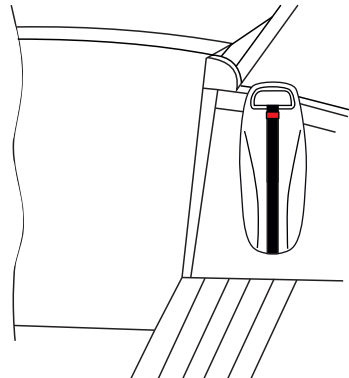
If the Jon Buoy is affected by an obstruction Ocean Safety will not be liable for any failure of the product or its operation.



### 3.3.3 Bulkhead Mounted

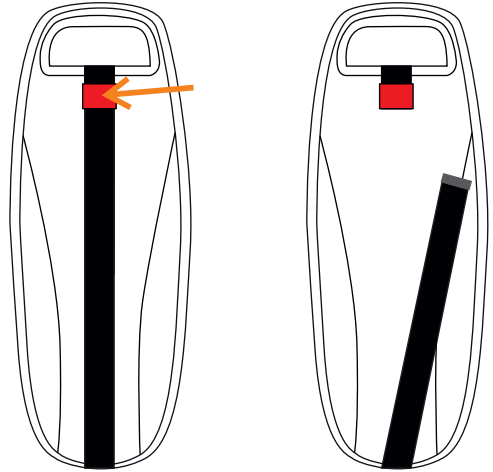
This Jon Buoy can be mounted on a bulkhead.

If the Jon Buoy is fitted on to an unsuitable bulkhead, Ocean Safety will not be liable for any failure of the product and its operation.

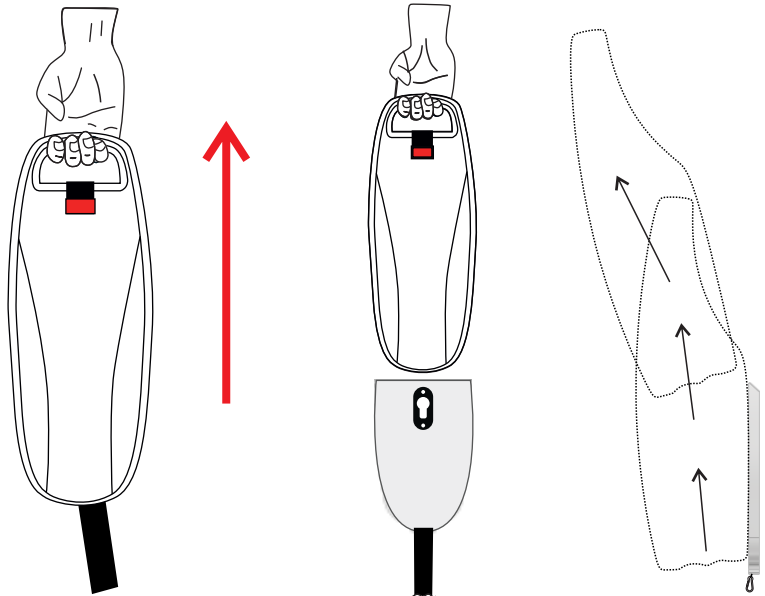


# 3.4 PRE-INSTALLATION

3.4.1 Push the buckle on the strap to release the container from the mounting plate.

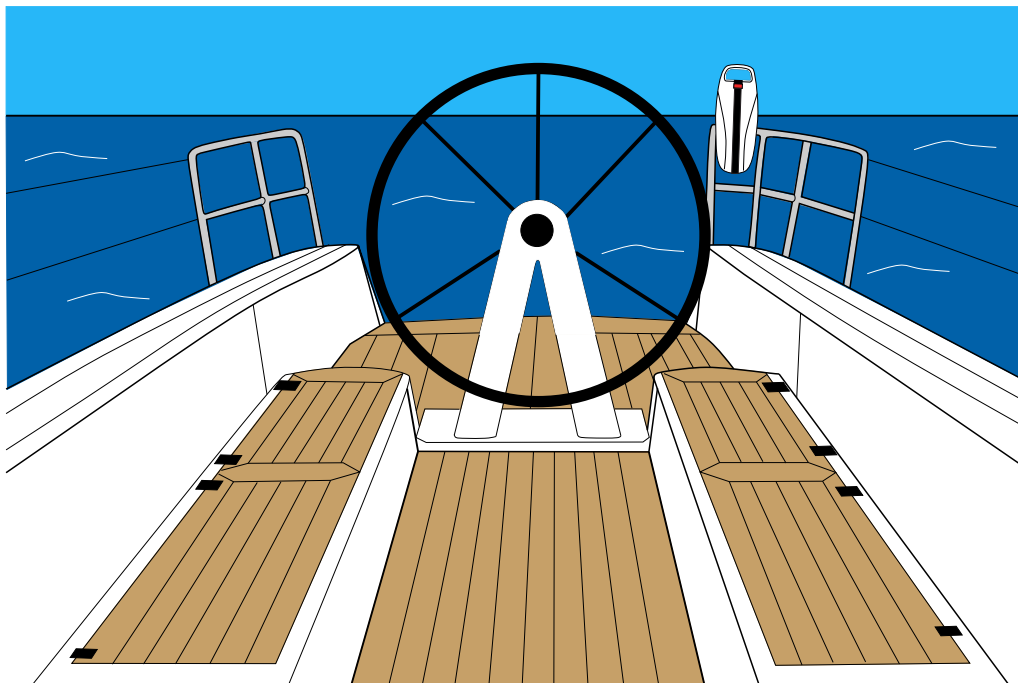


3.4.2 Pull the container upwards while holding onto the backplate to separate parts.



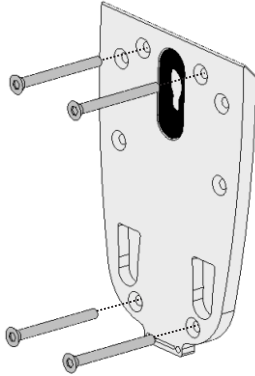
## 3.5 RAIL MOUNTED ORIENTATION

3.5.1 Ensure the unit is facing inboard on the vessel as shown below.

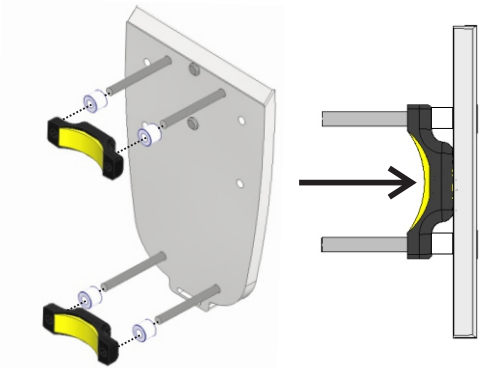


# 3.6 RAIL MOUNT VERTICAL

3.6.1 Insert either [D] or [E] bolts into the mounting plate holes depending on your rail size. (Under 25mm rails use [D] bolts and over 25mm use [E] bolts.) Ensure they are inserted from the correct side and positioned as shown below.

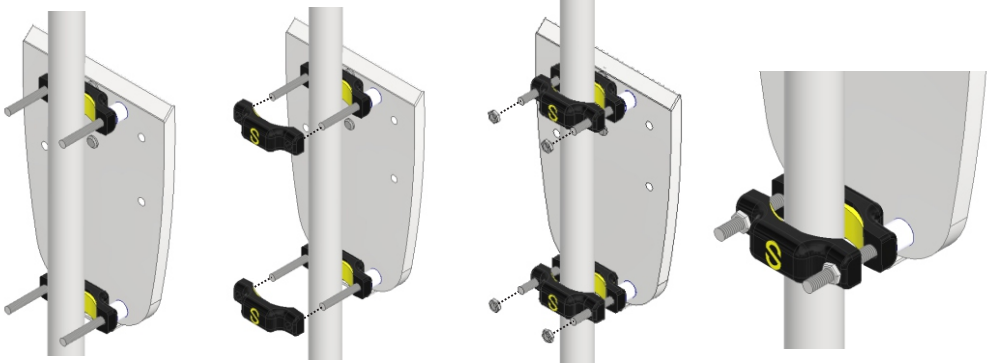


3.6.2 Insert spacers (G) and mounting brackets [C] over the aligned bolts. Repeat on the other two bolts. Ensure the back of the mounting bracket and spacers are pressed up against the backplate.



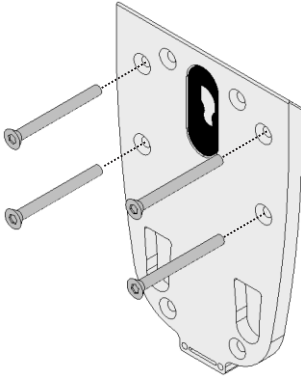
3.6.3 Hold up against the rail with the mounting bracket pressed up against it. Position the remaining brackets [C] onto the bolts from the other side of the rail.

3.6.4 Apply the M6 nuts [F] to the bolts and secure the brackets and mounting plate. Tighten until the mounting plate does not move.

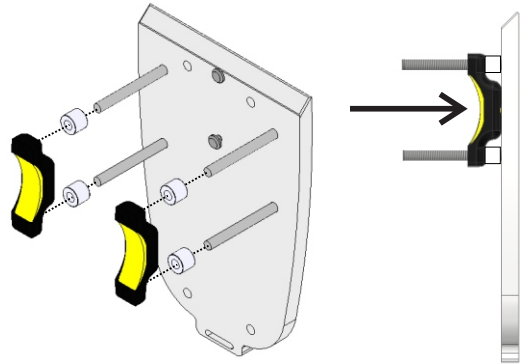


# 3.7 RAIL MOUNT HORIZONTAL

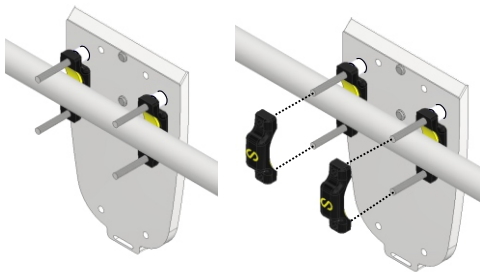
3.7.1 Insert either [D] or [E] bolts into the mounting plate holes depending on your rail size. (Under 25mm rails use D bolts and over 25mm use [E] bolts.) Ensure they are inserted from the correct side and positioned as shown below.



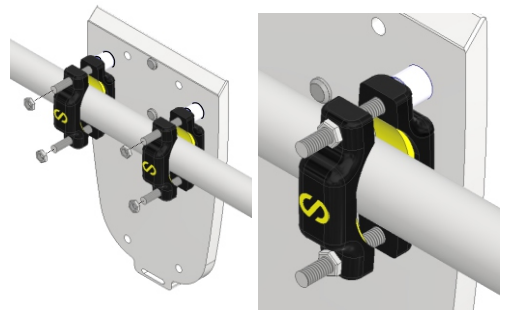
3.7.2 Insert spacers (G) and mounting brackets [C] over two aligned bolts. Repeat this on the other two bolts. Ensure the spacers and back of the mounting plate is pressed up against the mounting plate.



3.7.3 Hold up against the rail with the mounting bracket pressed up against it. Position the remaining brackets [C] onto the bolts from the other side of the rail.



3.7.4 Apply the M6 nuts [F] to the bolts and secure the brackets and mounting plate. Tighten until the backplate does not move.



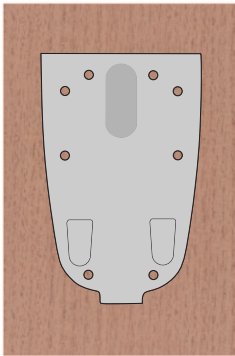
# 3.8 BULKHEAD



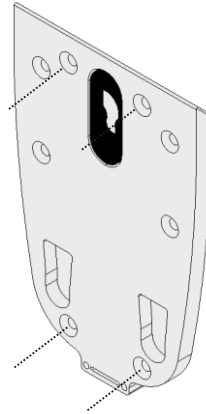
NOTE: FIXINGS FOR BULKHEAD MOUNTING ARE NOT SUPPLIED. THESE WILL VARY ON THE SURFACE THE MOUNTING PLATE IS FIXED TO. OCEAN SAFETY WILL NOT TAKE RESPONSIBILITY FOR ANY INCORRECT FIXING.



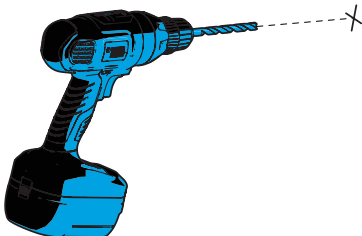
3.8.1 Position the mounting plate [B] onto the desired area ensuring the mounting plate can sit flat against the bulkhead.



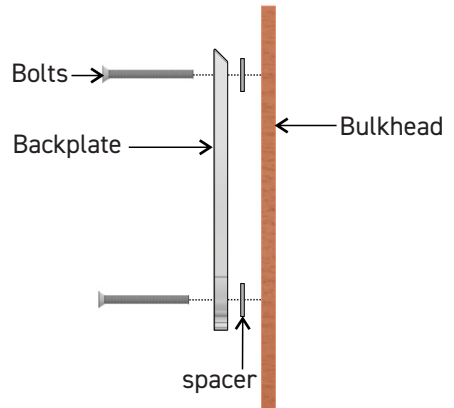
3.8.2 Mark x4 drill holes ensuring the mounting plate is level.



3.8.3 Remove the mounting plate (B) from the bulkhead. Drill x4 holes in the marked locations.

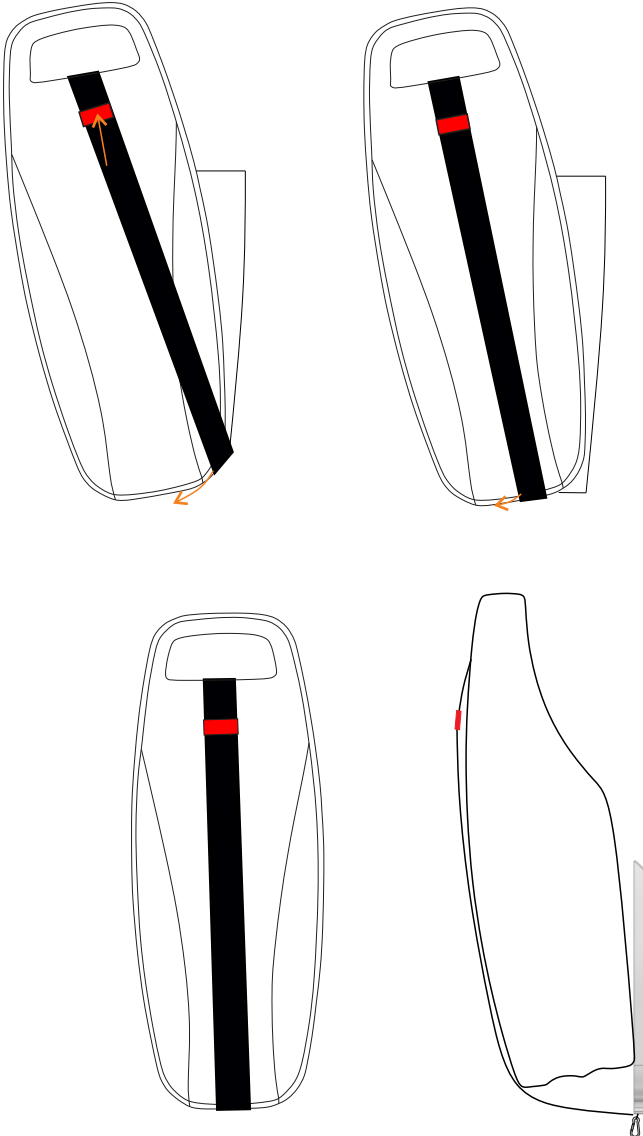


3.8.4 Place the mounting plate (B) onto the drilled holes. Secure with spacers on the bulkhead side and appropriate fixings. Ocean Safety recommend through panel fixings (not provided).

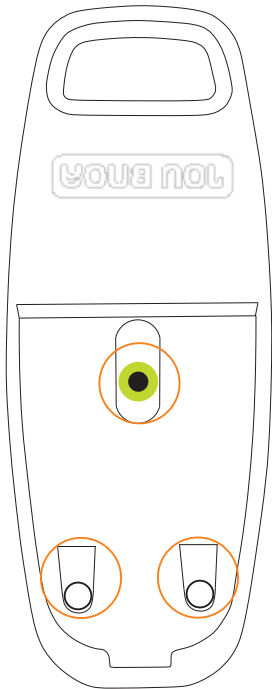


# 3.9 INSTALLING THE CONTAINER

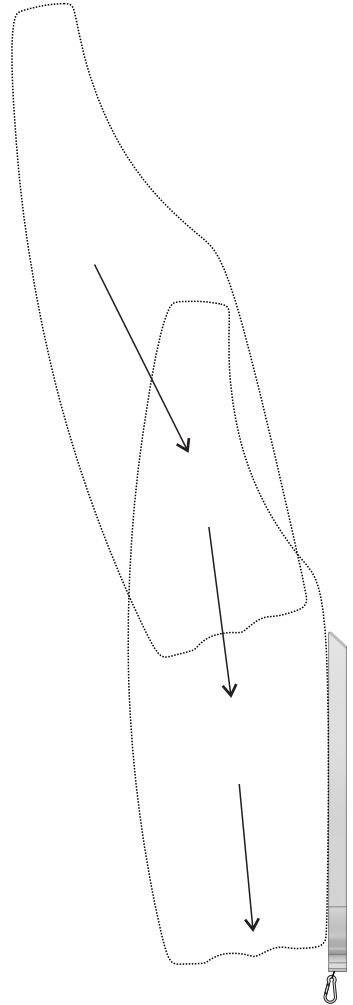
3.9.1 Position the container in front of the backplate at a slight angle. Take the strapping from the bottom of the mounting plate and clip to the top buckle. Slide the strap around the bottom of the container and straighten.



3.9.2 Connect the container [A] onto the mounting plate [B] by sliding the container downwards. Ensure all three fixings on the back of the container engage with the slots on the mounting plate. The container should be pushed down firmly to line up with the bottom of the mounting plate.

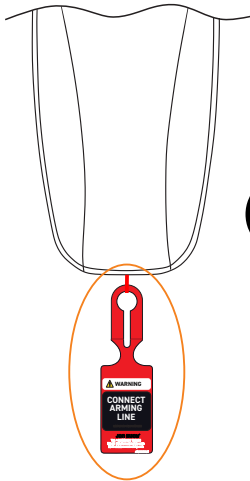
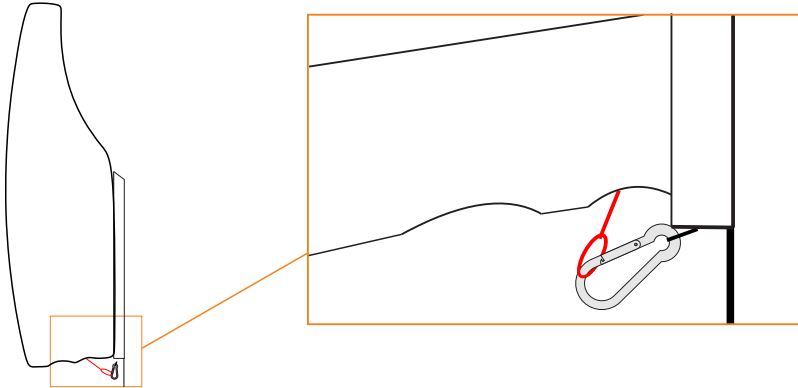


Fixings slotted into mounting plate.



# 3.9 INSTALLING THE CONTAINER

3.9.3 Carefully clip the carabina, at the bottom of the mounting plate, onto the loop in the arming line protruding from the bottom of the container. Do not pull the armline out the container else this will tear the vac bag. The unit is now armed.



**NOTE: ONCE THE CARABINA IS CLIPPED ONTO THE ARMING LINE THE WARNING TAG CAN BE REMOVED AND DISCARDED**





NOTE: IF THE CONTAINER NEEDS TO BE REMOVED FROM THE MOUNTING PLATE FOR STORING OR SERVICING ENSURE, THE CARABINA IS UNCLIPPED BEFORE REMOVING FROM THE VESSEL AND THE BUCKLE ON THE STRAP IS UNCLIPPED.



IF CONTAINER HAS BEEN REMOVED FROM ITS MOUNTING ENSURE THE ARMING LINE IS RE-ATTACHED.

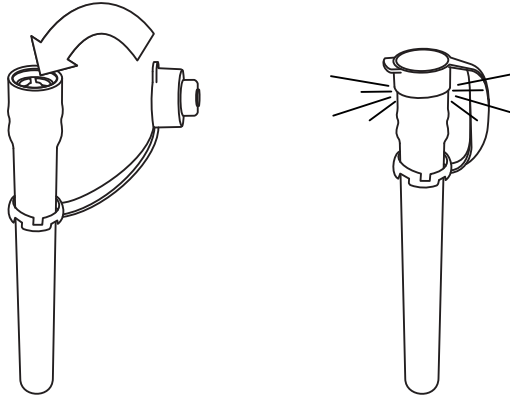


NOTE: DEPLOYMENT INSTRUCTIONS ARE PRINTED ON THE BACK OF THE CONTAINER.



## 4.1 AFTER USE

4.1.1 To deflate the Jon Buoy, locate the oral tube valve on the module. Depress the oral tube valve by using the cap on the tube and squeeze all the air out of the module.



4.1.2 Rinse the Jon Buoy with fresh water and leave to drip dry in a cool and well ventilated area.

4.1.3 Once dry and deflated, pack the Jon Buoy and send to the nearest Ocean Safety Approved Service Station.

4.1.4 To find the nearest Ocean Safety Approved Service Station, visit the website or contact Ocean Safety:



Tel: +44 (0) 2380 720800  
Email: [info@oceansafety.com](mailto:info@oceansafety.com)  
Web: [www.oceansafety.com](http://www.oceansafety.com)



**WARNING: NEVER ATTEMPT TO RE-PACK THE JON BUOY FOR RE-USE. ONLY TRAINED PERSONNEL AT AN OCEAN SAFETY APPROVED SERVICE STATION CAN RE-PACK AND RE-ARM A JON BUOY TO THE NECESSARY STANDARD REQUIRED.**



## 4.2 STORAGE AND REMOVAL

4.2.1 Ocean Safety recommend that if the vessel is not in use, the Jon Buoy is removed and kept in a dry storage facility. This will prolong the life of the Jon Buoy. Ensure the arming line is un-clipped before doing so.

4.2.2 Alternatively, cover the Jon Buoy with a waterproof cover.

4.2.3 It is the owners responsibility to remove any protective cover should the vessel be in use. Failure to do so may result in the failure of the product to deploy properly.



IF CONTAINER HAS BEEN REMOVED FROM ITS MOUNTING ENSURE THE  
ARMING LINE IS RE-ATTACHED.



5.0.1 The Jon Buoy must be serviced every three years at an Ocean Safety Approved Service Station.

5.0.2 The recommended first service date is defined by the black sticker on the rear of the container. The outer number denotes month and year is indicated in the centre of the circle.

5.0.3 A service every three years is essential to ensure the life of the product is prolonged and to maintain the Jon Buoy warranty.

5.0.4 To find the nearest Ocean Safety Approved Service Station, visit the website or contact Ocean Safety:



Tel: +44 (0) 2380 720800

Email: [info@oceansafety.com](mailto:info@oceansafety.com)

Web: [www.oceansafety.com](http://www.oceansafety.com)

## 5.1 WARRANTY

5.1.1 Ocean Safety offers a limited warranty of 6 years to the original owner of the Jon Buoy, subject to the terms and conditions outlined herein. This warranty covers defects in materials and workmanship of the product. Please review the following details carefully to understand the scope and limitations of this warranty.

5.1.2 It is important to note that the warranty does not cover damage resulting from accidents, neglect or normal wear and tear. Additionally, it is only valid if a full service history, carried out by an Ocean Safety Approved Service Station, is available and only if the product has been registered with Ocean Safety via the warranty section of the Ocean Safety website: [www.oceansafety.com/warranty](http://www.oceansafety.com/warranty).

### 5.1.3 WARRANTY EXCLUSIONS

5.1.3.1 The warranty does not apply to the following:

- Normal wear and tear: This includes, but is not limited to, damage caused by regular usage, wear on containers or deployment-related damage.
- Product abuse or misuse: Any evidence of product abuse or misuse, as determined by Ocean Safety, will void the warranty.
- Commercial or business use: Products used for commercial or business purposes are not covered under this warranty.
- Acts of God or third parties: Damage resulting from acts of nature or actions by third parties is not covered.
- Non-compliance with maintenance instructions: The product must be serviced at Ocean Safety approved Service Stations following the instructions provided by Ocean Safety at the specified intervals.
- Time expired items: Replacement of time-expired items such as lights, gas cylinders which are typically replaced during the products lifespan, is not covered.
- Jon Buoy products service interval: For Jon Buoy products, please refer to the owners manual.

### 5.1.4 WARRANTY CLAIMS

5.1.4.1 If you believe the product is eligible for a warranty claim based on the terms and conditions outlined above, contact Ocean Safety. Ocean Safety are committed to resolving warranty issues promptly and efficiently.

### 5.1.5 CHANGES TO TERMS AND CONDITIONS

5.1.5.1 Ocean Safety reserves the right to modify or amend this warranty terms and conditions at any time. Customers will be bound by the warranty terms and conditions in effect at the time of the original product purchase.

5.1.5.2 For warranty related enquiries or claims, contact Ocean Safety,

# 6.0 SERVICE RECORD

Signature & Stamp	Comments	Repairs and/or Replacements	Modifications	Service Station Address	Date of Service

# JON BUOY®

OCEAN SAFETY  
Saxon Wharf  
Lower York Street  
Southampton  
Hampshire  
SO14 5QF

Tel: +44 (0)2380 720800  
Email: [info@oceansafety.com](mailto:info@oceansafety.com)  
Web: [www.oceansafety.com](http://www.oceansafety.com)

